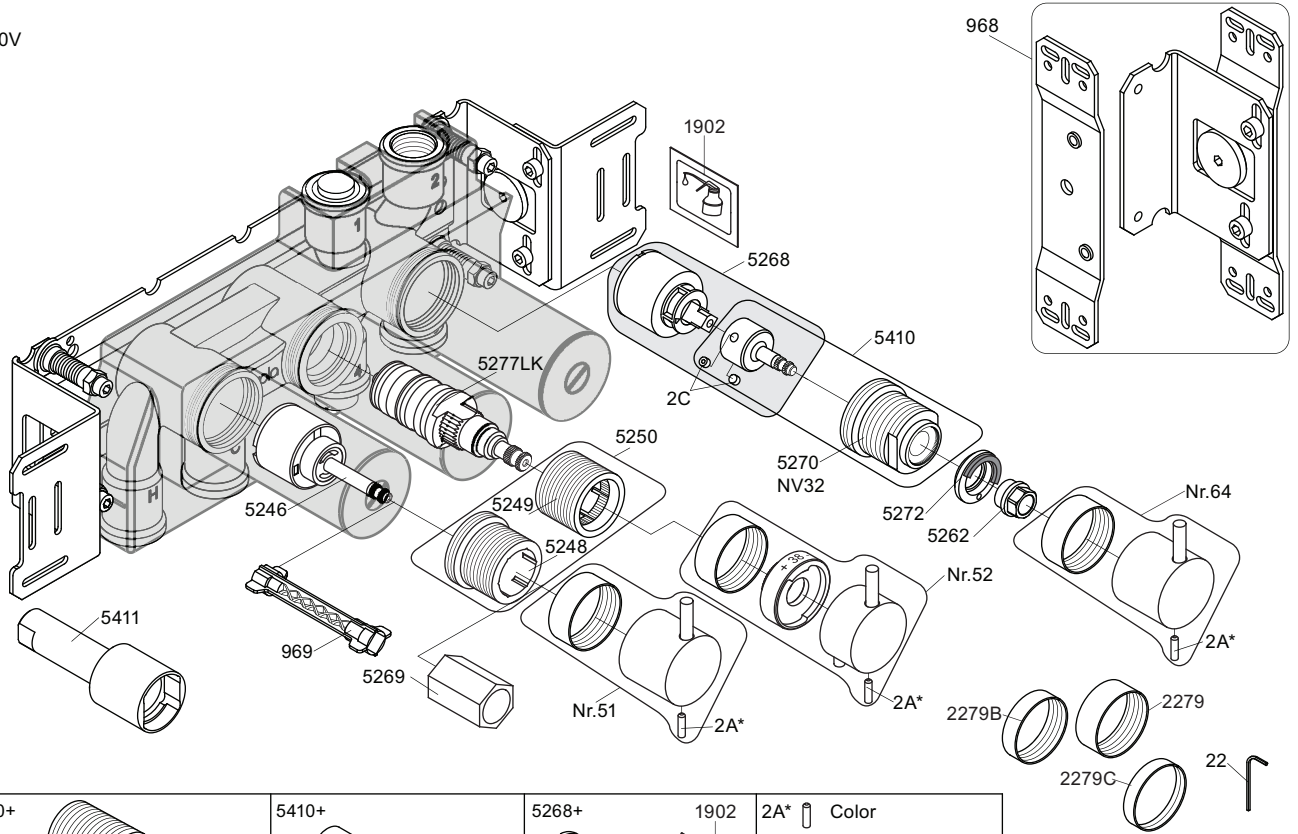


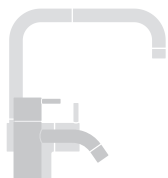
5400V



<p>5250+</p>	<p>5410+</p>	<p>5268+</p>	<p>2A* Color</p> <p>VR2A-Steel: Standard VR2A-F60: F17-F27-F60 VR2A-F63: F63-F64 VR2A-F65: F19-F59-F70</p>
--------------	--------------	--------------	--

- NR51: VR5251, VR2279+B+C, VR2A
- NR52: VR5252, VR5253, VR5255, VR5256, VR2279+B+C, VR3113, VR2A
- NR64: VR5251, VR2279+B+C, VR2A
- VR5250+: VR5248+, VR5249+, VR5257, VR5258, VR5259, VR5260
- VR5257+: VR5257+, VR5259+
- VR5258+: VR5258+, VR5260+
- VR5268+: 2xVR2C, VR1902, VR5268
- VR5410+: 2xVR2C, VR5270+

<p>5400V 5600V</p> <p>2929</p>	<p>5400NV 5400TV</p> <p>2930</p>	<p>5400FV 5400RV</p> <p>2929</p>	<p>5400DV</p> <p>2934</p>
<p>5003B</p>	<p>5004B</p>	<p>5004L</p>	
<p>3x2001</p>	<p>3x2001,001</p>	<p>3x2001,001</p>	<p>2001</p>



vola
 Lunavej 2
 DK-8700 Horsens
 Tlf : + 45 7023 5500
 sales@vola.com
 www.vola.com

VOLA 5400V
 5400FV, 5400NV
 5400RV, 5400TV
 5600V

Date
Jun. 20

Rev.
5

Sheet
SB 10.54